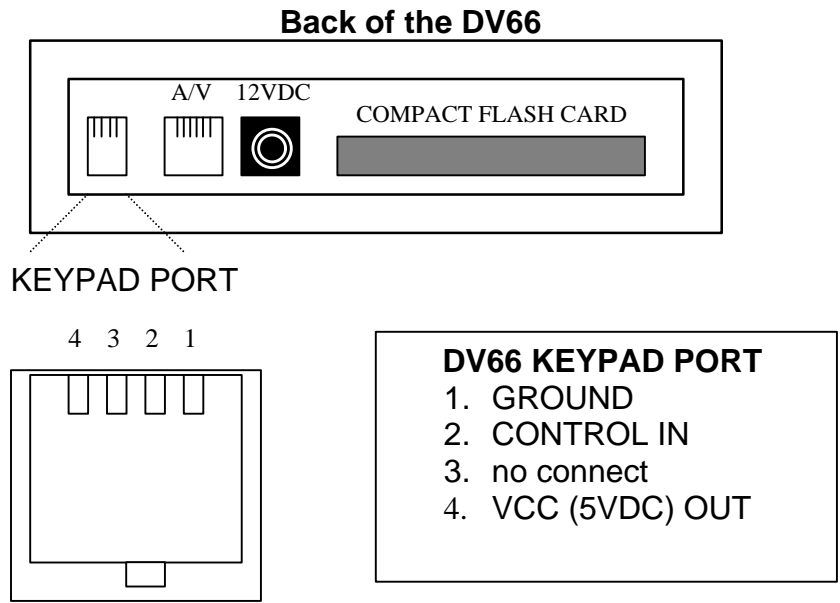


# Wiring to the KEYPAD port on the DV66



## TV66K CNTRL PORT CONFIGURATION

