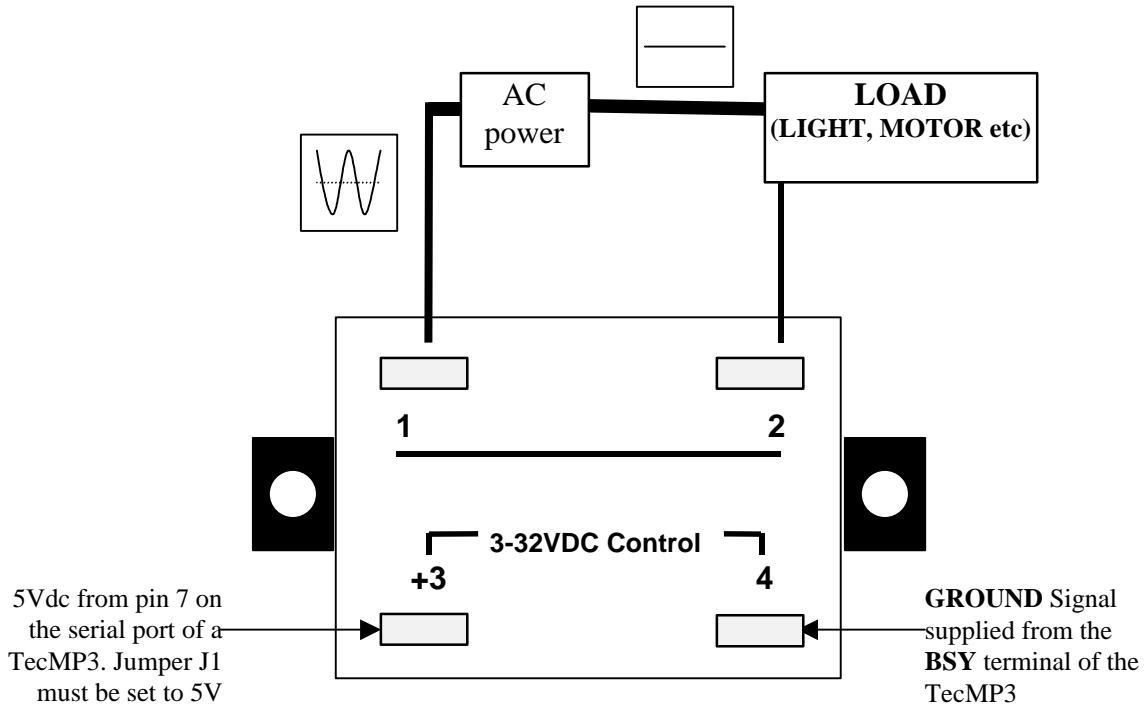


## WIRING DIAGRAM FOR Z120D10 RELAY WHEN TRIGGERED BY A TECMP3



### General Specifications for Z120D10 Relay

Maximum Load (RMS)	10 AMPS
Line AC	25-65 (47-63Hz)
Isolation	4000-volt isolation
	Coupling capacitance input to output 8 PF max.
Operating Temperature	-40 to 100 C
Turn-On Time	½ cycle maximum zero voltage
Turn-Off Time	½ cycle maximum zero current
Off-State Leakage (max)	6 mA – may cause flicker with Micro fluorescents
	A .1mf cap, rated at 300v across the bulb will take care of the leakage.
Dimensions (H x W x D)	.93" x 1.75" x 2.25"

### **UL recognized and CSA certified**

Information compiled from product specification sheet.

For more information contact: Technovision (905) 420-5153

