

Technovision Interactive

TecCD USER MANUAL

Revision A

TECHNOVISION INTERACTIVE INC

1845 Sandstone Manor, Unit 2
Pickering, Ontario
L1W 3X9
CANADA
P: 905-420-5153
F: 905-420-0753

www.technovision.com

For additional sales information contact:
Technovision Sales
(905) 420-5153 extension 21

Visit our website to see what other innovative products are available:
www.technovision.com

MP3SA Industrial MP3 player with optional RS232 control.
PC2 multimedia controller.
V74BC button controller for Pioneer Industrial DVD players
and many more...

What is a TecCD Player?

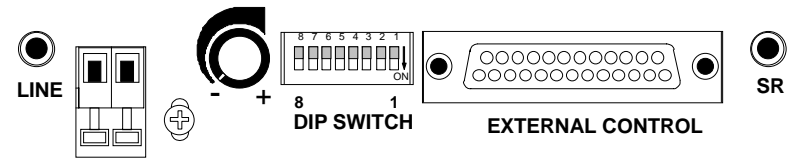
The TecCD from Technovision® is an industrial CD player based on a heavy duty CDROM drive and power supply. It provides the capability of AUTOMATICALLY repeating specific tracks (1..15) or the entire CD through DIP switch settings. Users can also sample specific tracks through external button selections. The TecCD can also be triggered by motion sensors, computers or multimedia controllers like the PC2 or KPC1.

- Dipswitch selectable disc or track repeat (Tracks 1 to 15).
- Built in 5-watt amplifier with mono output (channel selectable) and volume control.
- Speaker connectors.
- Stereo line output on 3.5mm connector.
- RS232 control on a DB25F connector.
- SR compatible with Pioneer PD-103 consumer CD player.
- 4x4 matrixed keypad port with DIPswitch selectable lockout.
- Track indicator outputs (1x8 or 4x4 modes) with DIPswitch selectable flashing mode.

CDROM Drive Specifications:

- Long life brushless motor.
- 100,000 POH (Duty 20%) MTBF.
- Powered tray loading.
- Double shell dust-sealed mechanism.

INSTRUCTIONS

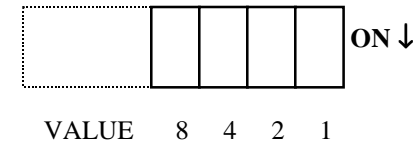


Do not turn the unit on until the following has been set.

1. Attach the Line Audio Out (**LINE**) to amplifier or attach speaker to **Speaker Out**.
2. **DIPswitches** must be set to your mode settings.

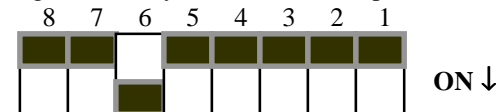
Switches 1-4 TRACK VALUE (0= ENTIRE DISC)

The first 4 DIPswitches set the track value. DIP 1 has a value of 1, DIP 2 has a value of 2, DIP 3 has a value of 4 and DIP 4 has a value of 8.



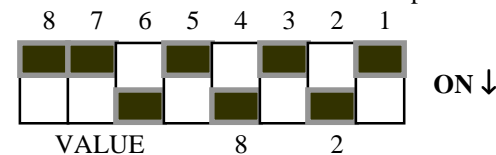
Examples

If you are selecting the entire disc, you would set the track value to 0. Meaning DIP 1 thru 4 are off, and if you want to keep repeating this mode you set DIP6 on (repeat).

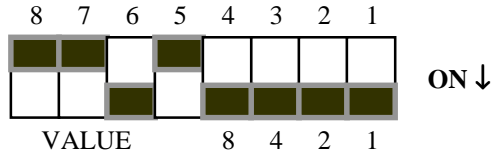


If you need to repeat track 10, you would turn DIP 2(value 2) and DIP 4(value 8) on. Value 2 + Value 8 = TRACK 10.

You would also have to turn DIP6 on for repeat.



If you need to repeat track 15, you would turn DIP 4(value 8), DIP 3(value 4), DIP 2(value 2) and DIP 1(value 1). Value $8+4+2+1=15$.



Switch 5 – INDICATOR MODE

With DIPswitch 5 OFF, the indicator mode for the track indicator is “linear” – one output representing the track playing (1..8). With DIPswitch 5 ON, the mode is set to “matrix” – a 4x4 configuration to represent the track playing (1...16).

Linear Mode:

The TecCD has track indicators on the EXTERNAL CONTROL connector.

Track Playing	5 volt output on pin (25ma)
1	6
2	19
3	7
4	20
5	8
6	21
7	9
8	22
Ground	10 and 18

See Button/LED Indicator Diagram for additional notes on Matrix Mode.

Switch 6 – REPEAT MODE

With DIPswitch 6 ON, the track designated by DIPswitches 1 to 4 will repeat continuously. After the playing of a button activated track, the system will continue repeating the track value specified.

Switch 7 – FLASH MODE

There are 8 TTL outputs on the EXTERNAL CONTROL connector that identify the current track that is playing. With DIPswitch 7 in the ON position, the outputs will flash rather than remain on solid.

Switch 8 – BUTTON LOCKOUT

With DIPswitch 8 in the ON position, subsequent button inputs will not interrupt a button-activated track. A track that is repeating is not affected by this setting.

EXTERNAL CONTROL Connector (DB25 female)

The EXTERNAL CONTROL connector has two main functions.

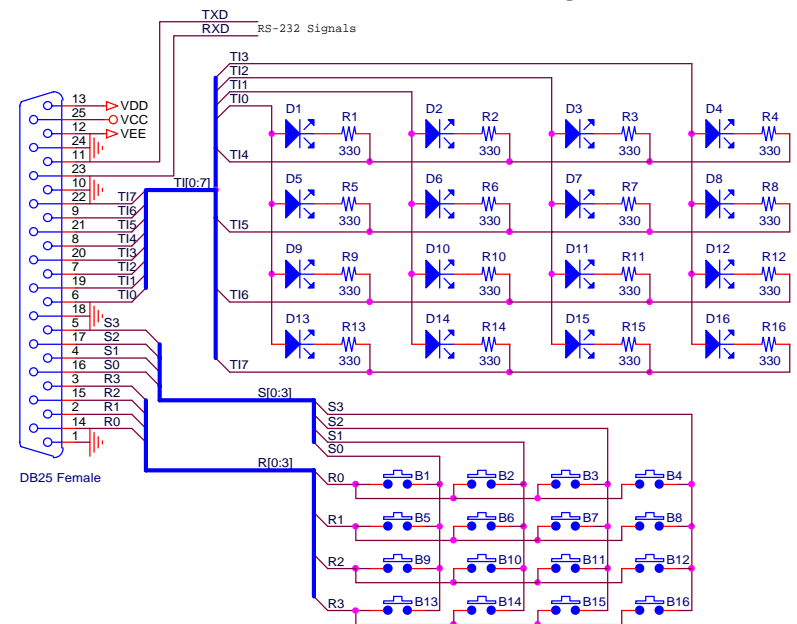
1. First function is to connect external push buttons. Refer to pushbutton example below
2. Second function serves as the output for the track indicator.

Push Button Example

Pins on EXTERNAL CONNECTOR

	16	4	17	5
14	Track 1	Track 2	Track 3	Track 4
2	Track 5	Track 6	Track 7	Track 8
15	Track 9	Track 10	Track 11	Track 12
3	Track 13	Track 14	Track 15	Track 16

TecCD Button/LED Indicator Diagram



For Example: Button 1 (B1) will play track1 and would be connected to return 0 (R0) and scan 0 (S0). These are pins 14 and 16 on the DB25 female connector.

Control (SR) in

External control connector for Pioneer’s SR Protocol.

RS232 Command Set

Commands are transmitted at 9600 baud, 8 bits, no parity and 1 stop bit and is terminated with a carriage return.

The TecCD received the RS232 data on pin 23 and transmits data on pin 11 of the DB25 female connector. Data ground is pin 10 or 24.

Command	Description	Additional Comments
?	Inquiry	Responds with 4 bytes - see Note 1 below
Dx	Play Disc - conditional x commands are: x = R: Repeat disc x = P: Play disc once	SR & RS232
Kxx	Play Key Track x	SR & RS232
NE	Prevent Medium Removal (No Eject)	SR & RS232
NT	Next Track/Track Forward	SR & RS232
PA	Pause – cycles through modes	SR & RS232
PG	Program Mode	SR & RS232
PL	Play	SR & RS232
PT	Previous Track/Track Reverse	SR & RS232
P10	Plus Ten	SR & RS232
RE	Repeat (Toggle to next mode)	SR & RS232
RE0	Repeat Off	RS232
RE1	Repeat Track	RS232
RE2	Repeat Disc	RS232
ST	Stop	SR & RS232
Txx	Play Track xx	SR & RS232

Player responds with 'R' <cr> to commands or sends an error code:

Error codes:

- 1...General Error
- 2...Out of range
- 3...Data Error

Version 3.4 Additions

PA0	Pause OFF	RS232
PA1	Pause (same as PA)	RS232
PA2	At the end of the current track, search back to the beginning and pause. Sets the mode only – does not pause the player	RS232
P	Play	RS232

Can now put the player into PAUSE mode when stopped. Kxx clears the PAUSE flag.

Note 1: Bytes 1 & 2 are the dual digit track number.
Byte 3 is the repeat mode (0 = Off, 1 = Track, 2 = Disc).
Byte 4 is the play mode (0 = Stop, 1 = Play, 2 = Pause).