

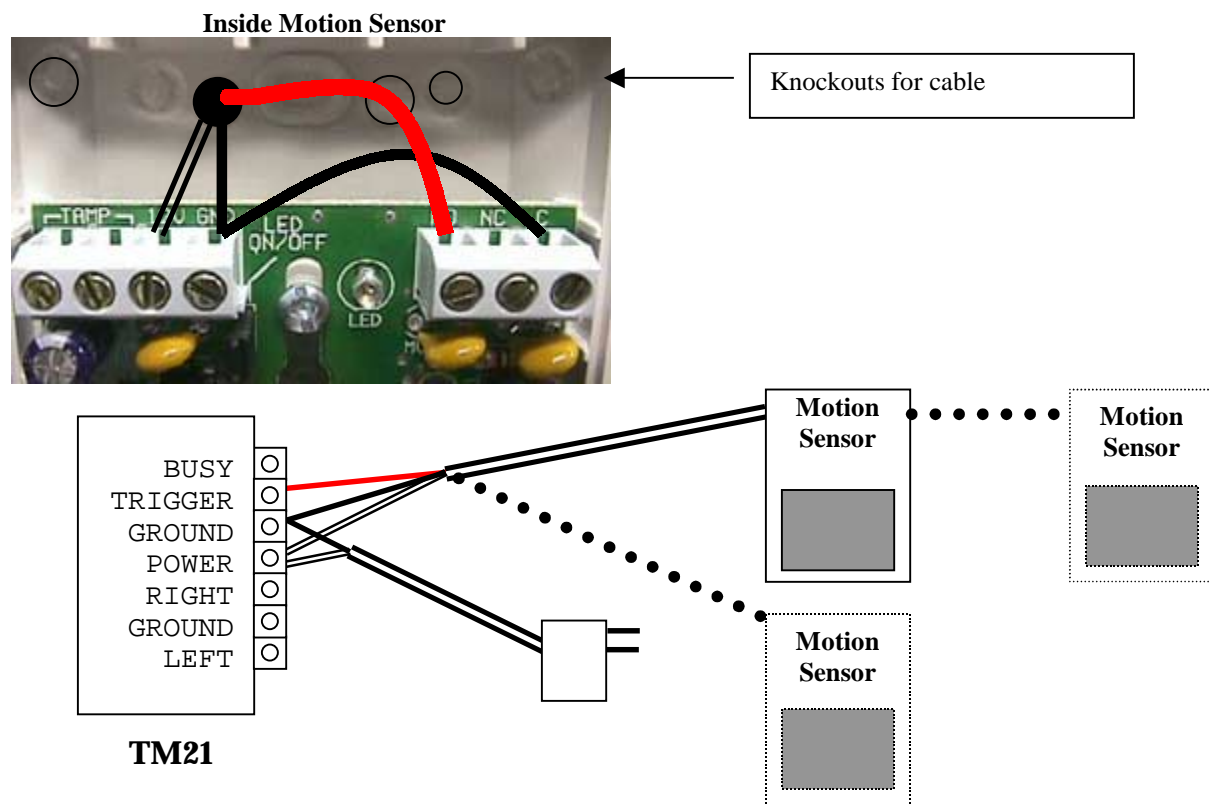
Wiring Instructions for a DSC Bravo Motion Sensor to a TM21 MP3 player

General Overview

It is recommended that a 3-conductor cable be used to connect the TM21 to the motion sensor. This cable should be no longer than 40 feet from the TM21. If any additional motion sensor is to be attached to the system, then that motion sensor can either be wired to the TM21 (as the first motion sensor) or wired into the same terminals within the first motion sensor.

Wiring instructions for the Motion Sensor (optional wire harness).

Wire colour	Description	Terminal on TM21	Connection within Motion Sensor
WHITE	POWER	POWER (+12 volts DC)	“12V” terminal screw (see below)
BLACK	GROUND	GROUND (1)	“GND” and “C” terminal screws (see below)
RED	Contact	TRIGGER	Normally Open (NO) terminal screw



To make sure the motion sensor does not keep restarting the MP3 audio file (001.MP3) while it is playing, the MODE.TXT file should contain:

DNC

This will set the TM21 to **D**irect **N**on-interruptible **C**losed

For more information contact
Technovision Interactive (905) 420-5153
www.technovision.com