

Operating Guide for the Technovision LD48

LD48B program chip

General Information

The LD48 with the LD48B program chip is capable of providing up to 48 grounds to DC lamps upon a button press (dry contact closure). The first 24 outputs are located on BANK #1 and the second 24 are located on BANK #2.

Wiring Instructions when providing grounds to DC lamps

If 24 or less lamps using the same power supply (not supplied) are being used:

Attach VOLTAGE + from the power supply to the + side of all DC lamps and the terminal labeled B1V+ on the 4 position terminal connector. Attach the GROUND from the DC power supply to the terminal labeled GND. Attach the ground from each lamp to the matching terminal number on the LD48 board (BANK #1).

If more than 24 lamps using the same power supply are being used:

Attach VOLTAGE + from the power supply to all lamps and the terminal labeled B1V+ and B2V+. Attach the GROUND to an input terminal labeled GND. Attach the ground from each lamp to the matching terminal number of BANK #1 and BANK #2 on the LD48 board.

If lamps using two different power supplies are being used:

Attach VOLTAGE + from the first power supply to all lamps using that voltage and to the terminal labeled B1V+. Attach VOLTAGE + from the second power supply to all lamps using this voltage and the terminal labeled B2V+. Attach the GROUNDS from both power supplies to the input terminal labeled GND. Attach the ground from each lamp to the matching terminal number on the board. Terminals on BANK #1 will provide the grounds to lamps connected to B1V+ and terminals on BANK # 2 will provide the grounds to lamps connected to B2V+.

Button Wiring

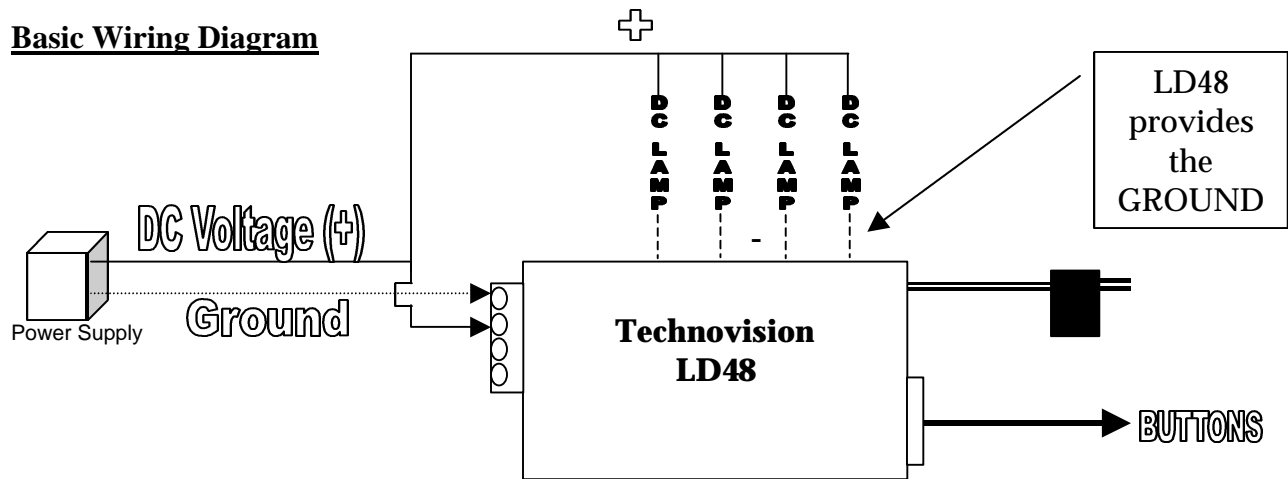
Pins on the Parallel Port of the LD48 (DB25F)								
	6	18	5	17	4	16	3	15
10	1	2	3	4	5	6	7	8
22	9	10	11	12	13	14	15	16
9	17	18	19	20	21	22	23	24
21	25	26	27	28	29	30	31	32
8	33	34	35	36	37	38	39	40
20	41	42	43	44	45	46	47	48

For example: Button 45 is connected to pins 20 and 4 on the Parallel Port. When button 45 is pressed, output 45 (BANK #2, terminal 21) will be active for 5 seconds.

Operating Guide for the Technovision LD48

LD48B program chip

Basic Wiring Diagram



Note 1.

The LD48 board is rated at .5 (½) amps per output to a maximum voltage of 48 volts (DC). VOLTAGE + has to be connected to the controller to provide clamping diode protection and NOT to provide power for the lamps.

LD48 Mechanical Specifications

- DB25 female external control connector.
- When used as a lamp driver the outputs are rated at 48 volts (DC) MAX @ ½ AMP.
- Board can facilitate the switching of two separate DC voltage levels (24 outputs/voltage).
- Clamping Diode Protection.
- Terminal contacts provided for all wires.

For more information contact:
Technovision Inc., (905) 420-5153
sales@technovision.com